

# Technical data sheet

## Clamp clip 2056 H-foot 1-fold, plastic pressure sleeve, Al

Item number: 1186469



Clamp clip with hammerhead foot, plastic pressure sleeve made of polypropylene. For vertical and horizontal mounting of 1 single cable on a C-profile rail. For a slot width 16–17 mm. With 1-start screw thread on pressure sleeve, universal hexagonal screw head WAF10, with slot and cross recess. Suitable for assembly indoors and outdoors. We recommend the use of a counter-sleeve.



**Alu** Aluminium

### Master data

Item number	1186469
Type	BS-H1-K-70 ALU
Description 1	Clamp clip 2056
Manufacturer	OBO
Dimension	64-70mm
Material	Aluminium
Smallest sales unit	50
Unit of quantity	Piece
Weight	5.4 kg
Weight unit	kg/100 pc.
CO2 Footprint (GWP) Cradle-to-Gate	0,6928 kg CO2e / 1 Piece

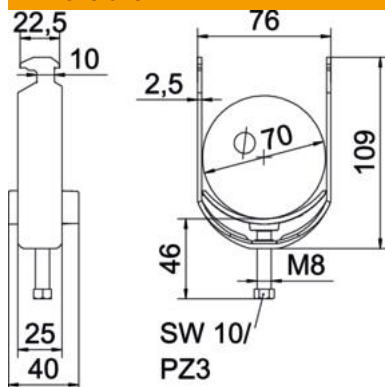
# Technical data sheet

Clamp clip 2056 H-foot 1-fold, plastic pressure sleeve, Al



Item number: 1186469

## Dimensions



Length	25 mm
Width	76 mm
Height	109 mm
Plate thickness	2.5 mm
Dimension A	25 mm
Dimension B	76 mm
Dimension C	40 mm
Dimension G (mm)	M8
Dimension H	109 mm
Dimension L	45 mm
Dimension t	2.5 mm

## Technical data

Number of cables/pipes	1
For pipe diameter, max.	70 mm
For pipe diameter, min.	64 mm
for rail with slot width (with interval), max.	17 mm
for rail with slot width (with interval), min.	16 mm
Thread	M8
Halogen-free	yes
Length of external dimensions	40 mm
Max. Tightening torque	2 Nm
With plastic trough	yes
Mounting type	Profile rail
Slot width	10 mm
Clamping range D, max.	70 mm
Clamping range D, min.	64 mm
Surface addition	Untreated
Material addition	Aluminium
With counter-trough	no
Material of trough	Plastic
Material quality of trough	Polypropylene