

Technical data sheet

Clamp clip 2056 N-foot, 1-fold, plastic pressure sleeve, Al

Item number: 1187344



Clamp clip with N-foot, plastic pressure sleeve made of polypropylene. For vertical and horizontal mounting of 1 single cable on a C-profile rail. For slot width 11–12 mm With 1-start screw thread on pressure sleeve, universal hexagonal screw head WAF10, with slot and cross recess. Suitable for assembly indoors and outdoors. We recommend the use of a counter-sleeve.



Alu Aluminium

Master data

Item number	1187344
Type	BS-N1-K-52 ALU
Description 1	Clamp clip 2056
Manufacturer	OBO
Dimension	46-52mm
Material	Aluminium
Smallest sales unit	50
Unit of quantity	Piece
Weight	2.88 kg
Weight unit	kg/100 pc.
CO2 Footprint (GWP) Cradle-to-Gate	0,4619 kg CO2e / 1 Piece

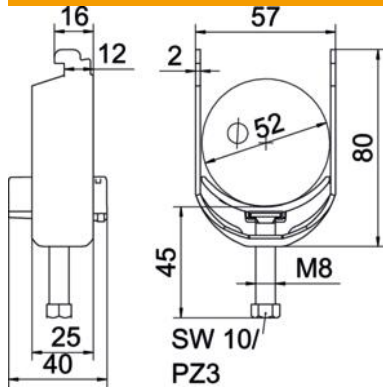
Technical data sheet

Clamp clip 2056 N-foot, 1-fold, plastic pressure sleeve, Al

Item number: 1187344



Dimensions



Length	25 mm
Width	57 mm
Height	80 mm
Plate thickness	2 mm
Dimension A	25 mm
Dimension B	57 mm
Dimension C	40 mm
Dimension G (mm)	M8
Dimension H	80 mm
Dimension L	45 mm
Dimension t	2 mm

Technical data

Number of cables/pipes	1
For pipe diameter, max.	52 mm
For pipe diameter, min.	46 mm
for rail with slot width (with interval), max.	12 mm
for rail with slot width (with interval), min.	11 mm
Thread	M8
Halogen-free	yes
Length of external dimensions	40 mm
Max. Tightening torque	2 Nm
With plastic trough	yes
Mounting type	Profile rail
Slot width	10 mm
Clamping range D, max.	52 mm
Clamping range D, min.	46 mm
Surface addition	Untreated
Material addition	Aluminium
With counter-trough	no
Material of trough	Plastic
Material quality of trough	Polypropylene