

# Technical data sheet

## Clamp clip 2056 N-foot, 1-fold, metal pressure sleeve, A2

Item number: 1188380



Clamp clip with N-foot, metal pressure sleeve with rounded edges to protect the cable. For vertical and horizontal mounting of 1 single cable on a C-profile rail. For slot width 11–12 mm With 1-start screw thread on pressure sleeve, universal hexagonal screw head WAF10, with slot and cross recess. Suitable for assembly indoors and outdoors. We recommend the use of a counter-sleeve.



**A2** Stainless steel

**2B** Bright, treated

### Master data

Item number	1188380
Type	BS-N1-M-28 A2
Description 1	Clamp clip 2056
Manufacturer	OBO
Dimension	22-28mm
Material	Stainless steel 1.4301
Surface	Bright, treated
Surface standard	
Smallest sales unit	25
Unit of quantity	Piece
Weight	5.744 kg
Weight unit	kg/100 pc.
CO2 Footprint (GWP) Cradle-to-Gate	0,3654 kg CO2e / 1 Piece

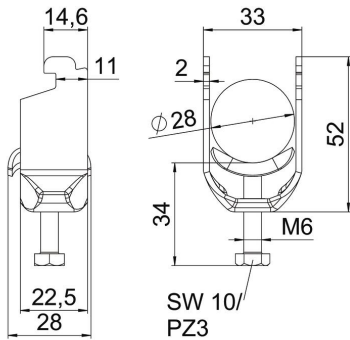
# Technical data sheet

Clamp clip 2056 N-foot, 1-fold, metal pressure sleeve, A2



Item number: 1188380

## Dimensions



Length	22.5 mm
Width	33 mm
Height	52 mm
Plate thickness	2 mm
Dimension A	22.5 mm
Dimension B	33 mm
Dimension C	28 mm
Dimension G (mm)	M6
Dimension H	52 mm
Dimension L	34 mm
Dimension t	2 mm

## Technical data

Number of cables/pipes	1
For pipe diameter, max.	28 mm
For pipe diameter, min.	22 mm
for rail with slot width (with interval), max.	12 mm
for rail with slot width (with interval), min.	11 mm
Thread	M6
Halogen-free	yes
Length of external dimensions	28 mm
Max. Tightening torque	3 Nm
With plastic trough	no
With metal trough	yes
Mounting type	Profile rail
Slot width	10 mm
Clamping range D, max.	28 mm
Clamping range D, min.	22 mm
Surface addition	Untreated
Material addition	Rustproof steel