

Technical data sheet

Clamp clip 2056 U-foot, 1-fold, metal pressure sleeve, A4

Item number: 1186676



Clamp clip with U-foot, metal pressure sleeve with rounded edges to protect the cable. For vertical and horizontal mounting of 1 single cable on a C-profile rail. For slot width 18–22 mm. With 1-start screw thread on pressure sleeve, universal hexagonal screw head WAF10, with slot and cross recess. Suitable for assembly indoors and outdoors. We recommend the use of a counter-sleeve.



A4 Stainless steel

2B Bright, treated

Master data

Item number	1186676
Type	BS-U1-M-76 A4
Description 1	Clamp clip 2056
Manufacturer	OBO
Dimension	70-76mm
Material	Stainless steel 1.4571
Surface	Bright, treated
Surface standard	
Smallest sales unit	25
Unit of quantity	Piece
Weight	20.6 kg
Weight unit	kg/100 pc.
CO2 Footprint (GWP) Cradle-to-Gate	0,9765 kg CO2e / 1 Piece

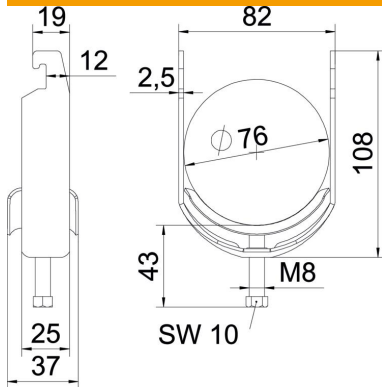
Technical data sheet

Clamp clip 2056 U-foot, 1-fold, metal pressure sleeve, A4



Item number: 1186676

Dimensions



Length	25 mm
Width	82 mm
Height	108 mm
Plate thickness	2.5 mm
Dimension A	25 mm
Dimension B	82 mm
Dimension C	37 mm
Dimension G (mm)	M8
Dimension H	108 mm
Dimension L	43 mm
Dimension t	2.5 mm

Technical data

Number of cables/pipes	1
For pipe diameter, max.	76 mm
For pipe diameter, min.	70 mm
for rail with slot width (with interval), max.	22 mm
for rail with slot width (with interval), min.	18 mm
Thread	M8
Halogen-free	yes
Length of external dimensions	37 mm
Max. Tightening torque	5 Nm
With metal trough	yes
Mounting type	Profile rail
Slot width	10 mm
Clamping range D, max.	76 mm
Clamping range D, min.	70 mm
Surface addition	Untreated
Material addition	Rustproof steel
With counter-trough	no
Material of trough	Rustproof steel