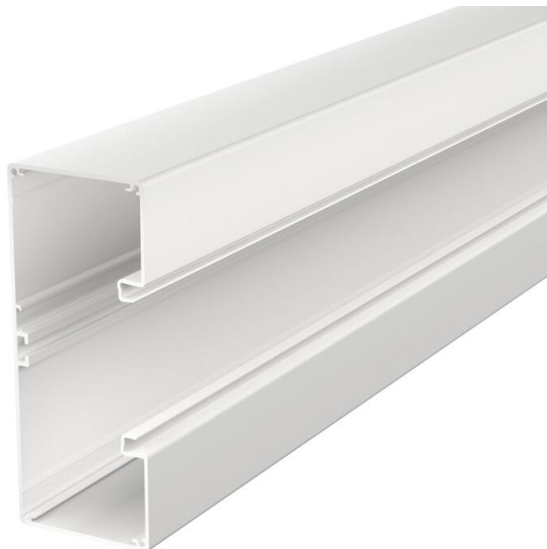


# Technical data sheet

Device installation trunking Rapid 80, trunking width 170,  
trunking height 70, symmetrical  
Item number: 6279100



Device installation trunking Without base perforation suitable for direct wall mounting or mounting on panels. Over-lengths up to 6,000 mm for trunking bases and covers as well as other RAL colours can be provided on request. The visible surfaces of the device installation trunking are laminated.

The cover must be ordered separately. We recommend the use of the duct clamp.

Note:

For anodised device installation trunking and fittings made from aluminium, light colour differences caused by tolerance based on the material and process conditions, cannot be avoided (according to DIN 17 611). Alternatively, we recommend powder coating in the colour RAL 9006 (white aluminium).



Alu Aluminium

## Master data

Item number	6279100
Type	GA-S70170RW
Description 1	Device installation trunking
Description 2	symmetrical
Manufacturer	OBO
Dimension	70x170x2000
Colour	Pure white; RAL 9010
Material	Aluminium
Smallest sales unit	2
Unit of quantity	Metre
Weight	262.9 kg
Weight unit	kg/100 m
CO2 Footprint (GWP) Cradle-to-Gate	33,864 kg CO2e / 1 Meter

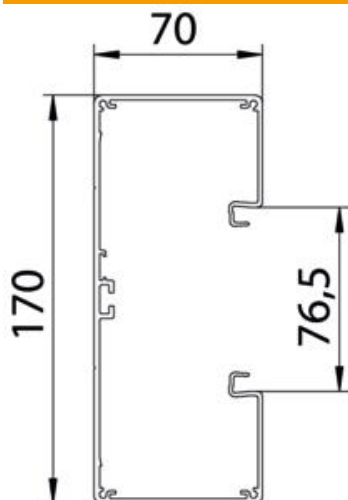
# Technical data sheet

Device installation trunking Rapid 80, trunking width 170, trunking height 70, symmetrical

Item number: 6279100



## Dimensions



Length	2,000 mm
Width	170 mm
Height	70 mm

## Technical data

Number of covers	1
Number of insertable partitions	1
Rear panel version (inner side)	Continuous C profile
Rectangular shape	yes
Base perforation	Without base perforation
Halogen-free	yes
Cable retaining clip	no
Duct connector	no
Cover mounting type	Internal
Mounting perforation in base	no
Usable cross-section	8620 mm <sup>2</sup>
Cover supplied	no
Cover width	76.5 mm
Protection rating	IP30
Protective film	yes
Protection rating IK code	IK10
Symmetrical	yes
Permitted temperature range, max.	60 °C
Permitted temperature range, min.	-25 °C